



F-2001MLH

Modular Flaker Ice Machine
Low-Side Series



F-2001MLH
03/31/17
Item # 13129

W x D x H
30" x 27^{1/2}" x 34^{7/16}"*


F-2001MLH*
Flaker Shown on
optional bin B-900




*Requires a rack system
for installation



Features

- ▶ Durable stainless steel exterior
- ▶ Advanced CleanCycle24™ design 
- ▶ Stainless steel auger with greaseless bearing

- Up to 2280 lbs. of ice production per 24 hours
- Mount two units, side-by-side, in only 60" of floor space for double the amount of ice production
- 2 second flush cycle every hour
- Flush cycle removes sediment for cleaner ice
- Protected by H-GUARD Plus Antimicrobial Agent 
- R-404A Refrigerant

Available on Bins:

B-250PF B-700PF/SF B-900PF/SF B-1300SS
B-500PF/SF B-800PF/SF B-1150SS

Top kit may be required. See Bin Spec Sheets.

Warranty:

3 Year Parts & Labor on entire machine. 5 Year Parts on Compressor; air-cooled condenser coil. Valid in United States, Canada, Puerto Rico and U.S. Territories. Contact factory for warranty in other countries.

| Condenser | Model | ICE PRODUCTION | | | WATER USAGE | | | ELECTRICAL | | | Heat Rejection BTU/hr. | Shipping Weight | ENERGY STAR® |
|------------|-----------|---|-------------------------------|--|--|------------------------------------|--|------------|-----------|--------|------------------------|-----------------|--------------|
| | | Air / Water Temp Lbs. per 24 hours 70°/ 50°F 90°/ 70°F | Type of Ice (Hardness Rating) | Potable Gal. per 100 lbs. 90°/ 70°F | Condenser Gal. per 100 lbs. 90°/ 70°F | kWh Used per 100 lbs. 90°/ 70°F | Max. Fuse Size or HACR Circuit Breaker | Amperage | Voltage | | | | |
| Air-Cooled | F-2001MLH | 2280 1733 | Flaked (69.2) | 12.0 | N/A | .6 | 15A | 6.1A | 115V/60/1 | 11,600 | 250 lbs. | | |

Cube Dimensions* Flaked F-2001MLH



* approximate size in inches, image not to scale

Operating Limits

- Ambient Temp Range 45 - 100°F
- Water Temp Range 45 - 90°F
- Water Pressure 10 - 113 PSIG
- Voltage Range 104-127V

Service

- Panels easily removed and all components accessible for service.
- Allow 6" (15 cm) clearance at rear and sides, and 24" (61 cm) clearance at top for proper air circulation and ease of maintenance/service.

Plumbing

- Icemaker Water Supply Line: Minimum 1/4" Nominal ID Copper Water Tubing or Equivalent
- Icemaker Drain Line: Minimum 3/4" Nominal ID Hard Pipe or Equivalent



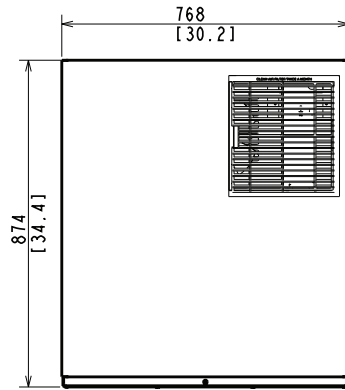
F-2001MLH

Modular Flaker Ice Machine
Low-Side Series



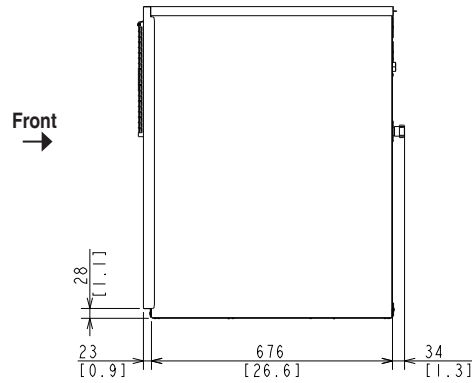
F-2001MLH
03/31/17
Item # 13129

FRONT VIEW

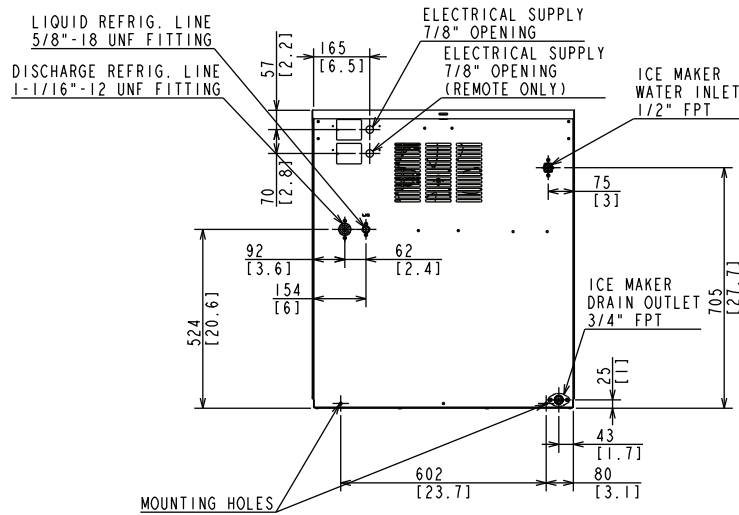


mm
[inch]

SIDE VIEW



REAR VIEW



BOTTOM VIEW

