

# KMS-2000MLH

## SERENITY SERIES

### CUBER ICE MACHINE

Item # \_\_\_\_\_

Project: \_\_\_\_\_

Qty: \_\_\_\_\_  
 \*AutoCad available on KCL

KMS-2000MLH

I/13

Item # 13283

**CUBER DIMENSIONS**  
 W x D x H

**KMS-2000MLH**  
 30 x 24 x 32<sup>7/8</sup>

**CONDENSING UNIT DIMENSIONS**  
 W x D x H




**Installation Dimension\***  
**SRK-20H / SRK-20H3**  
 62 x 21 x 45  
 \*Dimensions include legs

**Actual Dimension**  
**SRK-20H / SRK-20H3**  
 59<sup>11/16</sup> x 17 x 30

**KMS-2000MLH**

Remote Air-Cooled  
 Shown on an optional  
 Lancer 30" Dispenser



- Up to 1910 lbs. of ice production per 24 hours
- Ice on beverage design
- Less heat in the kitchen
- Minimized noise
- Durable stainless steel exterior
- Individual crescent cube
- Protected by H-GUARD Plus Antimicrobial Agent 
- CycleSaver® Design 
- EverCheck® alert system 
- Stainless steel evaporator
- CFC / HFC Free foam
- R-404A Refrigerant

**Warranty**

Valid in United States, Canada, Puerto Rico, & U.S. Territories. Contact factory for warranty in other countries.

**Three Year** - Parts & Labor on entire machine.

**Five Year** - Parts & Labor on: Evaporator.

**Five Year** - Parts on: Compressor, air-cooled condenser coil.



© HOSHIZAKI AMERICA, INC.



# Hoshizaki

## KMS-2000MLH SERENITY SERIES

**DIMENSIONS**  
W x D x H  
**KMS-2000MLH**  
30 x 24 x 32<sup>7/8</sup>

**Installation Dimension\***  
**SRK-20H / SRK-20H3**  
62 x 21 x 45  
\*Dimensions include legs

**Actual Dimension**  
**SRK-20H / SRK-20H3**  
59<sup>11/16</sup> x 17 x 30

### REMOTE AIR-COOLED / SRK-20H

Water Temp ° F.	50°	70°	90°	
Air Temp ° F.	70°	1861	1839	1722
	80°	1844	1810	1645
	90°	1839	1786	1639

### REMOTE AIR-COOLED / SRK-20H3

Water Temp ° F.	50°	70°	90°	
Air Temp ° F.	70°	1910	1850	1767
	80°	1864	1772	1687
	90°	1850	1706	1620

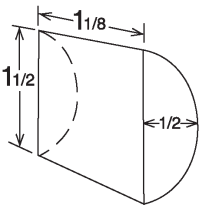
### UTILITY CONSUMPTION

Model Number	Ice Production Per Cycle		KWH per 100 LBS. 90/70	Potable Water Gal. per 100 lbs. 90/70	Condenser Water Gal. per 100 lbs. 90/70
	Lbs.	Cubes			
KMS-2000MLH with SRK-20H	27.9	1560	4.70	22.0	N/A
KMS-2000MLH with SRK-20H3	27.4	1560	4.65	23.3	N/A

### SPECIFICATIONS

Model Number	Condenser	Amperage	Min. Circuit Ampacity	Shipping Weight
KMS-2000MLH with SRK-20H	Remote Air-Cooled	21.3	30	206 lbs. 325 lbs.
KMS-2000MLH with SRK-20H3	Remote Air-Cooled	11.0	20	206 lbs. 325 lbs.

### KM CUBE DIMENSIONS



### ELECTRICAL & PLUMBING / KMS-2000MLH

- 115V/60/1 - Voltage supply for the KMS Ice Maker is supplied from the SRK Remote Condenser
- 1/2" FPT copper or equivalent independent potable water supply
- 3/4" FPT independent drain connection

### CONDENSER UNIT / SRK-20H

- 208-230/60/1 (3 wire with neutral for 115V)
- 30 amp Max Fuse/HACR Breaker Size

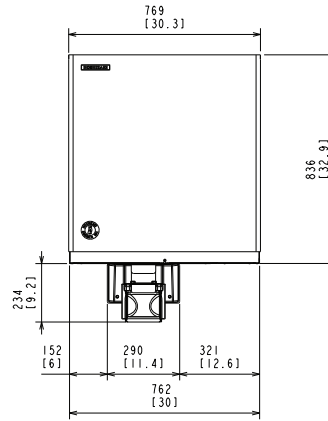
### CONDENSER UNIT / SRK-20H3

- 208-230/60/3
- 20 amp Max Fuse/HACR Breaker Size

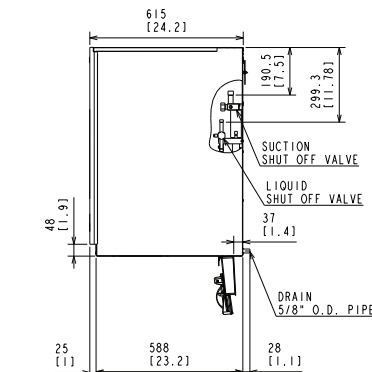


© HOSHIZAKI AMERICA, INC.

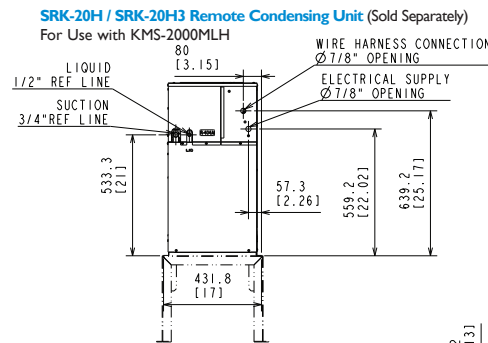
618 Hwy. 74 S., Peachtree City, GA 30269



FRONT VIEW



SIDE VIEW



SIDE VIEW



**Tubing Kits - REQUIRES FIELD BRAZING**  
(Sold Separately)  
• 25' HS-0243  
• 35' HS-0244  
• 55' HS-0245

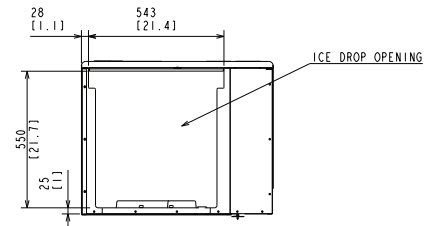
Voltage supply for the KMS Ice Maker is supplied from the SRK Remote Condenser.

### OPERATING LIMITS

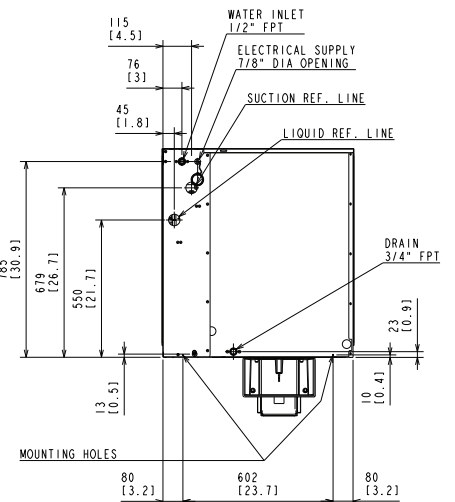
- Ambient Temp Range 45 - 100°F
- Water Temp Range 45 - 90°F
- Water Pressure 10 - 113psig
- Voltage Range 187 - 253V

### CONDENSING UNIT

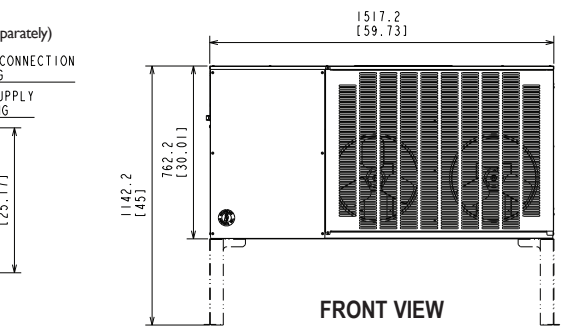
- Voltage Range 187 - 253V
- Ambient Temp Range -20 - 122°F



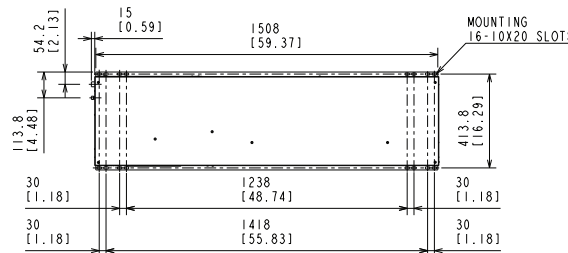
BOTTOM VIEW



BACK VIEW



FRONT VIEW



TOP VIEW

### SERVICE

- Panels easily removed and all components accessible for service.

TEL 1-800-438-6087

FAX 1-800-345-1325

www.hoshizaki.com

Printed in U.S.A.

