

KML-700MWH-M

Item # _____

Project: _____

Qty: _____

*AutoCad available on KCL

LOW-PROFILE MODULAR CRESCENT CUBER MARINE SERIES

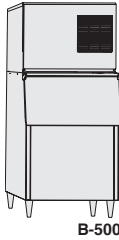
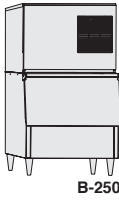
KML-700MWH-M

6/11

Item # 13260

CUBER DIMENSIONS W x D x H




KML-700MWH-M
30 x 27^{3/8} x 26



KML-700MWH-M

Water-Cooled
Shown on an optional
B-500



- Up to 670 lbs. of ice production per 24 hours
- Durable stainless steel exterior and interior
- Stainless steel evaporator
- Individual crescent cube
- Protected by *H-GUARD Plus* Antimicrobial Agent 
- CycleSaver® Design 
- EverCheck® alert system 
- Electrical: 208-230/60/1 (2 wire)
- Cupro-nickel water-cooled condenser for corrosive water conditions
- R-404A Refrigerant



Warranty

Valid in United States, Canada, Puerto Rico, & U.S. Territories. Contact factory for warranty in other countries.

Three Year - Parts & Labor on entire machine.

Five Year - Parts & Labor on: Evaporator

Five Year - Parts on: Compressor, air-cooled condenser coil.



Hoshizaki

KML-700MWH-M LOW-PROFILE MODULAR CRESCENT CUBER

DIMENSIONS
W x D x H
KML-700MWH-M
30 x 27^{3/8} x 26

• Water-cooled

WATER-COOLED

Water Temp° F.	50°	70°	90°	
Air Temp° F.	70°	670	655	613
	80°	659	636	582
	90°	655	620	570

UTILITY CONSUMPTION

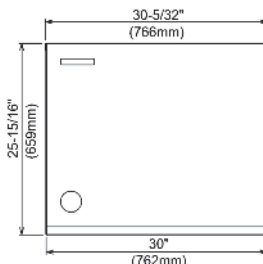
Model Number	Ice Production Per Cycle Lbs. Cubes	KWH per 100 LBS. 90/70	Potable Water Gal. per 100 lbs.	Condenser Water Gal. per 100 lbs.
KML-700MWH-M	11 480	4.5	15.0	160

SPECIFICATIONS

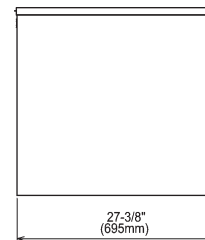
Model Number	Condenser	Amperage	Min. Circuit Ampacity	Shipping Weight
KML-700MWH-M	Water-Cooled	6.9	15 A	244 lbs.

STORAGE BINS

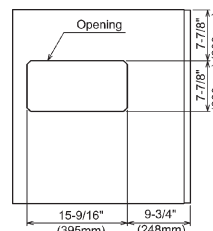
Model Number	Application Capacity	ARI-Rated Capacity
B-250	250 lbs.	230 lbs.
B-500	500 lbs.	360 lbs.
B-700	700 lbs.	550 lbs.
B-800	800 lbs.	600 lbs.
B-900	900 lbs.	660 lbs.
B-1150	1150 lbs.	N/A
B-1300	1275 lbs.	N/A
B-1500	1500 lbs.	N/A
B-1650	1605 lbs.	N/A



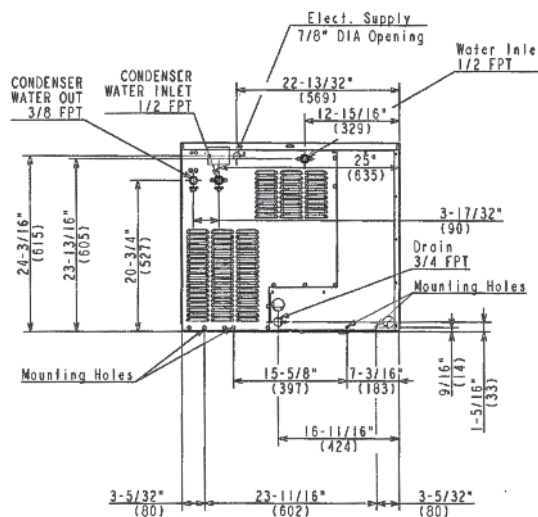
FRONT VIEW



SIDE VIEW



ICE DROP ZONE



WATER-COOLED UNIT

ELECTRICAL & PLUMBING/KML-700MWH-M

- 208-230/60/1 (2 wire)
- 15 Amp Max Fuse/HACR Breaker Size
- 1/2" OD copper or equivalent independent potable water supply
- 3/4" FPT independent drain connection



© HOSHIZAKI AMERICA, INC.

618 Hwy. 74 S., Peachtree City, GA 30269

OPERATING LIMITS

- Ambient Temp Range 45 - 100°F
- Water Temp Range 45 - 90°F
- Water Pressure 10 - 113psig
- Voltage Range 187 - 253V

SERVICE

- Panels easily removed and all components accessible for service.

TEL 1-800-438-6087

FAX 1-800-345-1325

www.hoshizaki.com

Printed in U.S.A.

