

# KMD-901M\_H

## MODULAR CRESCENT CUBER

Item # \_\_\_\_\_

Project: \_\_\_\_\_

Qty: \_\_\_\_\_

\*AutoCad available on KCL

KMD-901M\_H

I/13

Item # 13221

### CUBER DIMENSIONS

W x D x H

**KMD-901M\_H**  
30 x 24<sup>5/8</sup> x 28



### KMD-901MWH

Water-Cooled  
Shown on an optional  
Lancer 30" Dispenser

### KMD-901MRH

Remote Air-Cooled

- Up to 876 lbs. of ice production per 24 hours
- Ice on beverage design
- Durable stainless steel exterior
- Individual crescent cube
- Protected by H-GUARD Plus Antimicrobial Agent
- CycleSaver® Design
- EverCheck® alert system
- Stainless steel evaporator
- R-404A Refrigerant



ISO 9001-5:2008

### Warranty

Valid in United States, Canada, Puerto Rico, & U.S. Territories. Contact factory for warranty in other countries.

**Three Year** - Parts & Labor on entire machine.

**Five Year** - Parts & Labor on: Evaporator.

**Five Year** - Parts on: Compressor, air-cooled condenser coil.



### DIMENSIONS

W x D x H

**KMD-90IM\_H**  
30 x 24<sup>5/8</sup> x 28

- Water-cooled
- Remote Air-cooled

### WATER-COOLED

Water Temp ° F.	50°	70°	90°	
Air Temp ° F.	70°	876	874	831
80°	875	872	805	
90°	874	<b>870</b>	812	

### REMOTE AIR-COOLED

Water Temp ° F.	50°	70°	90°	
Air Temp ° F.	70°	848	827	768
80°	832	798	723	
90°	827	<b>775</b>	705	

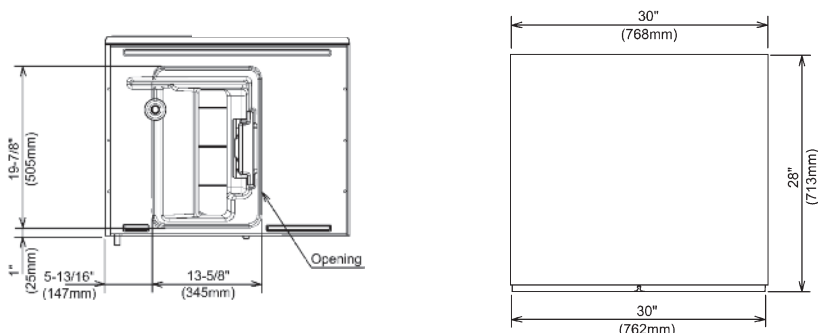
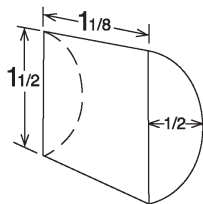
### UTILITY CONSUMPTION

Model Number	Ice Production Per Cycle		KWH per 100 LBS. 90/70	Potable Water Gal. per 100 lbs. 90/70	Condenser Water Gal. per 100 lbs. 90/70
	Lbs.	Cubes			
KMD-901MWH	12.3	624	4.2	24.5	125
KMD-901MRH	12.0	624	5.3	20.0	N/A

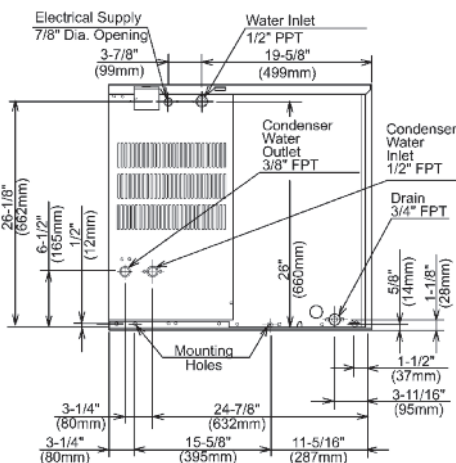
### SPECIFICATIONS

Model Number	Condenser	Amperage	Min. Circuit Ampacity	Shipping Weight
KMD-901MWH	Water-Cooled	7.8	20	251 lbs.
KMD-901MRH	Remote Air-Cooled	10.0	20	258 lbs.

### KM CUBE DIMENSIONS

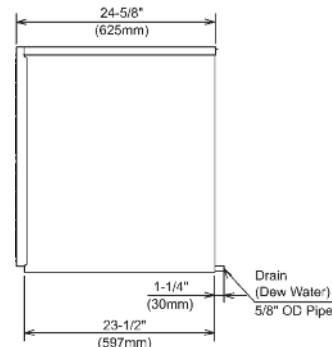


ICE DROP ZONE (KMD-901MWH & KMD-901MRH)

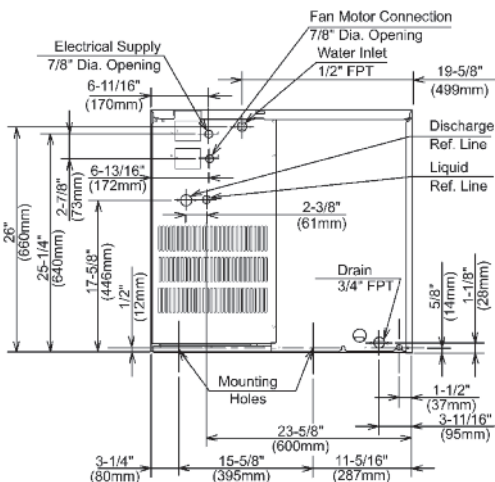


WATER-COOLED UNIT  
(KMD-901MWH)

FRONT VIEW  
(KMD-901MWH & KMD-901MRH)

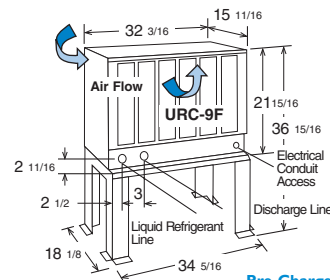


SIDE VIEW (KMD-901MWH & KMD-901MRH Unit)



REMOTE AIR-COOLED UNIT  
(KMD-901MRH)

**URC-9F Remote Condenser** (Sold Separately)  
For Use with KM-901MRH



### Pre-Charged Tubing Kits

- (Sold Separately)
- 20' R404-2068-2
- 35' R404-3568-2
- 55' R404-5568-2



Voltage supply for the URC Remote Condenser is supplied from the Ice Maker. No additional circuit is required.

### ELECTRICAL & PLUMBING/KMD-90IM\_H

- 208-230V/60/1 (3 wire with dedicated neutral for 115V)
- 20 amp Max Fuse/HACR Breaker Size
- 1/2" OD copper or equivalent independent potable water supply
- 3/4" FPT independent drain connection
- 5/8" OD pipe



ISL09001-15C14901

© HOSHIZAKI AMERICA, INC.

618 Hwy. 74 S., Peachtree City, GA 30269

### OPERATING LIMITS

- Ambient Temp Range 45 - 100°F
- Water Temp Range 45 - 90°F
- Water Pressure 10 - 113psig
- Voltage Range 187 - 253V

### CONDENSING UNIT

- Voltage Range 104 - 127V
- Ambient Temp Range -22 - 122°F

### SERVICE

- Panels easily removed and all components accessible for service.

TEL 1-800-438-6087

FAX 1-800-345-1325

www.hoshizaki.com

Printed in U.S.A.

