

FS-1022MLH-C

SERENITY SERIES

CUBELET ICE MACHINE

Item # _____

Project: _____

Qty: _____

*AutoCad available on KCL

FS-1022MLH-C

6/11

Item # 13282

CUBELET DIMENSIONS

W x D x H

FS-1022MLH-C
22 x 16^{1/2} x 26

CONDENSING UNIT DIMENSIONS

W x D x H

Installation Dimension
SRC-10H


30^{1/4} x 25^{3/8} x 34^{7/8}*
*with legs

Actual Dimension
SRC-10H

28^{1/4} x 23 x 19^{7/8}



FS-1022MLH-C
Remote Air-Cooled
Shown

- Up to 830 lbs. of ice production per 24 hours
- Less heat in the kitchen
- Minimized noise
- No wires between units
- Durable stainless steel exterior
- Individual cubelet ice
- Small chewable ice
- Ice removed from evaporator after every shut down cycle
- CleanCycle I2® Design 
- Slim depth - easier to clean dispenser
- Front or back serviceability
- R-404A Refrigerant



ISO9001-15014E01

Warranty

Valid in United States, Canada, Puerto Rico, & U.S. Territories. Contact factory for warranty in other countries.

Three Year - Parts & Labor on entire machine. (Serial numbers Vxxxxxj and after.)

Five Year - Parts on compressor.



FS-1022MLH-C CUBELET ICE MACHINE SERENITY SERIES

DIMENSIONS
W x D x H
FS-1022MLH-C
22 x 16.5 x 26

Installation Dimension SRC-10H
30^{1/4} x 25^{3/8} x 34^{7/8}
*with legs
Actual Dimension SRC-10H
28^{1/4} x 23 x 19^{7/8}

REMOTE AIR-COOLED

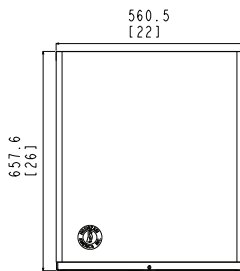
Water Temp° F.	50°	70°	90°
Air Temp° F.			
70°	830	805	785
80°	765	750	730
90°	710	705	680

UTILITY CONSUMPTION

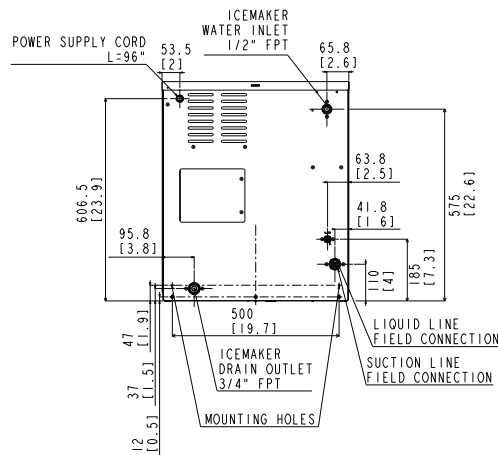
Model Number	Approximate Electrical		KWH per 100 LBS.		Potable Water Gal. per 100 lbs.	Condenser Water Gal. per 100 lbs.
	90/70	70/50	90/70	70/50		
FS-1022MLH-C with SRC-10H	1745	1713	5.96	4.94	12	N/A

SPECIFICATIONS

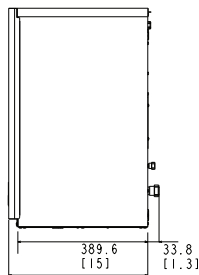
Model Number	Condenser	Amperage	Min. Circuit Ampacity	Shipping Weight
FS-1022MLH-C	Remote Air-Cooled	15	15	166 lbs.
SRC-10H	Air-Cooled	20	20	180 lbs.



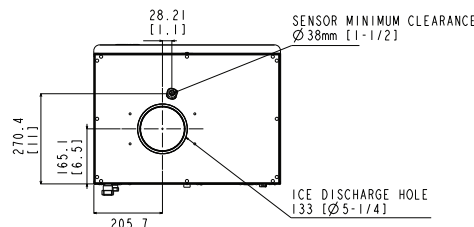
FRONT VIEW



BACK VIEW

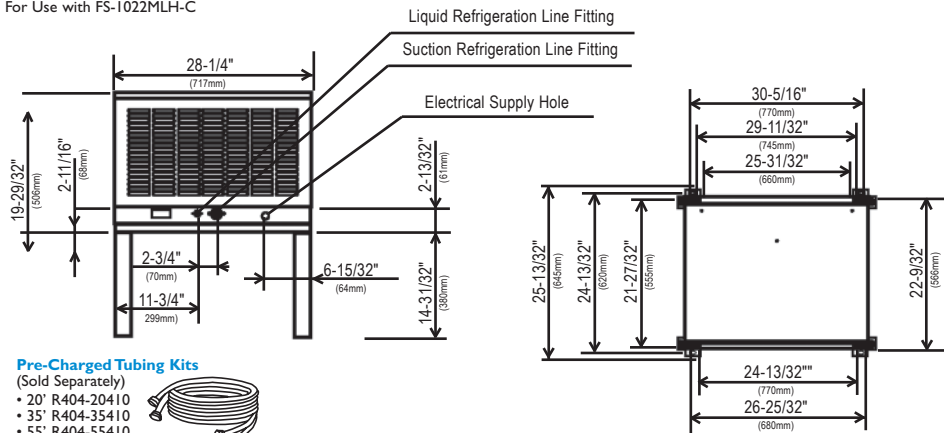


SIDE VIEW



ICE DROP ZONE

SRC-10H Remote Condensing Unit (Sold Separately)
For Use with FS-1022MLH-C



Pre-Charged Tubing Kits
(Sold Separately)
• 20' R404-20410
• 35' R404-35410
• 55' R404-55410

ELECTRICAL & PLUMBING / FS-1022MLH-C

- 115V/60/1
- 15 amp Max Fuse/HACR Breaker Size
- 3/8" FPT copper or equivalent independent potable water supply
- 3/4" FPT independent drain connection

CONDENSING UNIT / SRC-10H

- 208-230V/60/1
- 20 amp Max Fuse/HACR Breaker Size

OPERATING LIMITS

- Ambient Temp Range 45 - 100°F
- Water Temp Range 45 - 90°F
- Water Pressure 10 - 113psig
- Voltage Range 104 - 127V

CONDENSING UNIT

- Voltage Range 187 - 253V
- Ambient Temp Range -4 - 122°F

SERVICE

- Panels easily removed and all components accessible for service.
- No wires between units
- Pump down cycle



© HOSHIZAKI AMERICA, INC.

618 Hwy. 74 S., Peachtree City, GA 30269

TEL 1-800-438-6087

FAX 1-800-345-1325

www.hoshizaki.com

Printed in U.S.A.

