

# F-1500M\_H

## MODULAR FLAKER ICE MACHINE

Item # \_\_\_\_\_

Project: \_\_\_\_\_

Qty: \_\_\_\_\_  
 \*AutoCad available on KCL

F-1500M\_H  
 I/13  
 Item # 13161

### FLAKER DIMENSIONS W x D x H

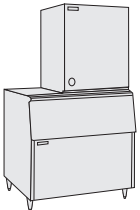
**F-1500M\_H**  
 30 x 27<sup>1/2</sup> x 34<sup>7/16</sup>



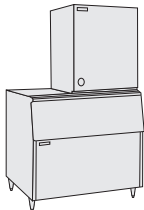
B-500



B-700



B-800



B-900

Also available on Large Bins:  
 B-1150SS  
 B-1300SS  
 B-1500SS  
 B-1650SS

### FLAKED ICE DIMENSIONS



### F-1500MAH


Air-Cooled  
 Shown on an optional  
 B-900

### F-1500MWH

Water-Cooled

### F-1500MRH

Remote Air-Cooled

- Up to 1590 lbs. of ice production per 24 hours
- Durable stainless steel exterior
- CleanCycle I2® Design 
- 15 minute flush cycle every 12 hours
- Removes sediment
- Cleaner ice
- Longer life and easy maintenance
- R-404A Refrigerant

\* The F-1500MAH and F-1500MRH are ENERGY STAR qualified.



ISO9001-15014E01

### Warranty

Valid in United States, Canada, Puerto Rico, & U.S. Territories. Contact factory for warranty in other countries.

**Three Year** - Parts & Labor on entire machine. (Serial numbers Vxxxxx) and after.)

**Five Year** - Parts on Compressor, air-cooled condenser coil.



# Hoshizaki

## F-1500M\_H FLAKER ICE MACHINE MODULAR SERIES

**DIMENSIONS**  
W x D x H  
**F-1500M H**  
30 x 27<sup>1/2</sup> x 34<sup>7/16</sup>

- Air-cooled
- Water-cooled
- Remote Air-cooled

### AIR-COOLED

Water Temp ° F.	50°	70°	90°
Air Temp ° F. 70°	1590	1514	1447
Air Temp ° F. 80°	1382	1321	1262
Air Temp ° F. 90°	1206	<b>1170</b>	1100

### WATER-COOLED

Water Temp ° F.	50°	70°	90°
Air Temp ° F. 70°	1435	1390	1360
Air Temp ° F. 80°	1335	1310	1285
Air Temp ° F. 90°	1260	<b>1245</b>	1210

### REMOTE AIR-COOLED

Water Temp ° F.	50°	70°	90°
Air Temp ° F. 70°	1585	1532	1484
Air Temp ° F. 80°	1439	1394	1351
Air Temp ° F. 90°	1309	<b>1300</b>	1230

### UTILITY CONSUMPTION

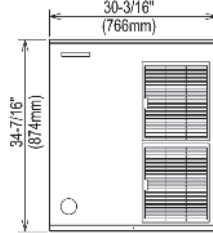
Model Number	KWH per 100 LBS. 90/70	Potable Water Gal. per 100 lbs.
F-1500MAH	3.83	12.0
F-1500MWH	3.4	12.0
F-1500MRH	3.72	12.0

### SPECIFICATIONS

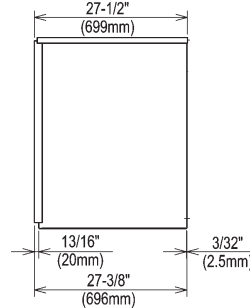
Model Number	Condenser	Amperage	Min. Circuit Ampacity	Shipping Weight
F-1500MAH	Air-Cooled	16.3	20	325 lbs.
F-1500MWH	Water-Cooled	15.9	20	325 lbs.
F-1500MRH	Remote Air-Cooled	18.9	20	325 lbs.

### STORAGE BINS

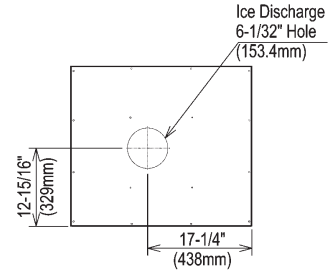
Model Number	Application Capacity	ARI-Rated Capacity
B-500	500 lbs.	360 lbs.
B-700	700 lbs.	550 lbs.
B-800	800 lbs.	600 lbs.
B-900	900 lbs.	660 lbs.
B-1150	1150 lbs.	N/A
B-1300	1275 lbs.	N/A
B-1500	1490 lbs.	N/A
B-1650	1605 lbs.	N/A



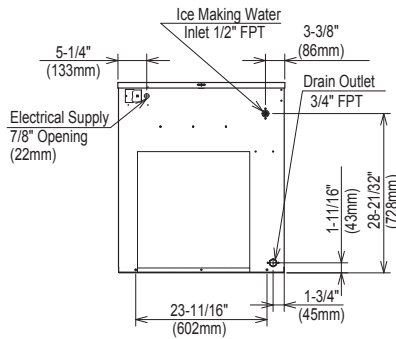
FRONT VIEW



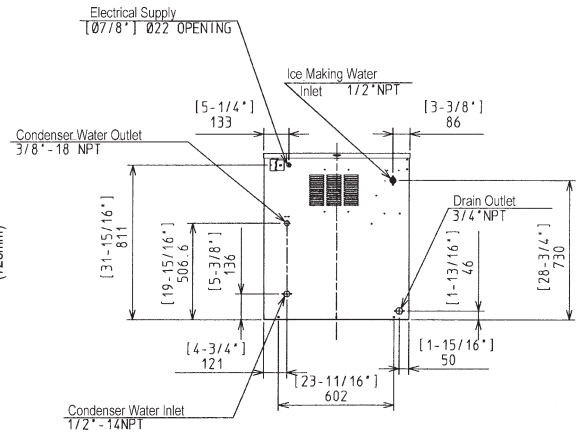
SIDE VIEW



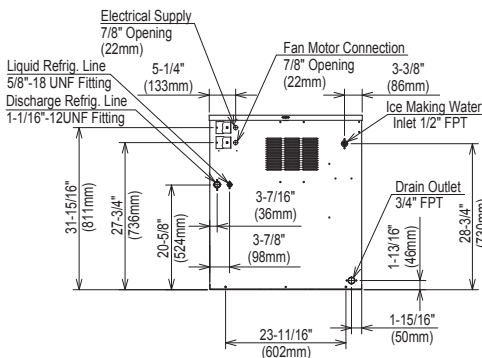
ICE DROP ZONE



AIR-COOLED UNIT

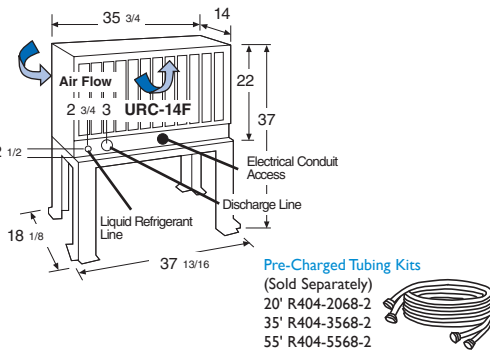


WATER-COOLED UNIT



REMOTE AIR-COOLED UNIT

**URC-14F Remote Condenser** (Sold Separately)  
For Use with F-1500MRH-C



**Pre-Charged Tubing Kits**  
(Sold Separately)  
20' R404-2068-2  
35' R404-3568-2  
55' R404-5568-2

Voltage supply for the URC Remote Condenser is supplied from the Ice Maker. No additional circuit is required.

### ELECTRICAL & PLUMBING/F-1500M\_H

- 208-230V/60/1 (3 wire with dedicated neutral for 115V)
- 3/8" OD copper or equivalent independent potable water supply
- 3/4" FPT independent drain connection



© HOSHIZAKI AMERICA, INC.

618 Hwy. 74 S., Peachtree City, GA 30269

### OPERATING LIMITS

- Ambient Temp Range 45 - 100°F
- Water Temp Range 45 - 90°F
- Water Pressure 10 - 113psig
- Voltage Range 187 - 253V

### SERVICE

- Panels easily removed and all components accessible for service.
- Removable/cleanable air filter. (Air-Cooled models only)

TEL 1-800-438-6087

FAX 1-800-345-1325

www.hoshizaki.com

Printed in U.S.A.

