

# DCM-750B\_H-OS

## OPTI-SERVE SERIES

### SANITARY CUBELET ICE MACHINE/DISPENSER

Item # \_\_\_\_\_

Project: \_\_\_\_\_

Qty: \_\_\_\_\_

\*AutoCad available on KCL

DCM-750B\_H-OS

6/11

Item # 13150

#### DIMENSIONS

W x D x H

#### DCM-750B\_H-OS

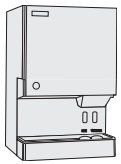
34<sup>1/16</sup> x 28<sup>1/2</sup> x 48<sup>1/16</sup>

#### SD-700

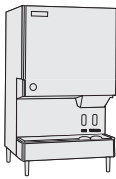
34<sup>1/4</sup> x 28<sup>1/4</sup> x 32<sup>1/2</sup>

#### SD-750

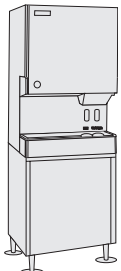
34 x 28 x 32<sup>3/4</sup>



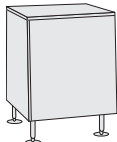
DCM-750  
Countertop



DCM-750  
Countertop  
with optional  
6" legs



DCM-750  
Floor Model  
with optional  
stand



SD-700  
optional  
stand



SD-750  
optional  
stand

#### DCM-750BAH-OS

Air-Cooled  
Shown on an optional  
SD-750 Stand



#### DCM-750BWH-OS

Water-Cooled



\*Transparent drinkware may affect dispensing operations

#### DCM-750B\_H-OS

- CleanCycle12® - Every 12 hours, unit performs 15 minute purge to rid itself of impurities 
- LED Remote sensor for hands-free operation
- Sealed LED housing prevents moisture from entering, eliminating the possibility of an electrical short
- Corrosion resistant stainless steel exterior
- Up to 80l lbs. of ice production per 24 hours, with 95 lbs. built-in storage
- Easy to chew, cubelet ice
- Self contained design reducing opportunities for cross contamination
- Dispenses ice and water
- Removable air filters (Air-cooled model only)
- Protected by H-GUARD Plus Antimicrobial Agent 

#### SD-700 Stand / SD-750 Stand

- Heavy duty stand for floor model icemaker/dispenser
- Corrosion resistant stainless steel exterior
- Easy cleaning with attractive appearance
- Locking doors standard on SD-750



ISO9001-ISO14001

#### Warranty

Valid in United States, Canada, Puerto Rico, & U.S.Territories. Contact factory for warranty in other countries.

**Three Year** - Parts & Labor on entire machine. (Serial numbers Vxxxxxj) and after.)

**Five Year** - Parts on: Compressor, air-cooled condenser.



# SANITARY CUBELET ICE MACHINE/DISPENSER - OPTI-SERVE SERIES

## DIMENSIONS

W x D x H

<b>DCM-750B_H-OS</b>	34 <sup>1/16"</sup>	x	28 <sup>1/2"</sup>	x	48 <sup>1/16"</sup>
<b>SD-700</b>	34 <sup>1/4"</sup>	x	28 <sup>1/4"</sup>	x	32 <sup>1/2"</sup>
<b>SD-750</b>	34	x	28	x	32 <sup>3/4"</sup>

- Hands-free ice machine/dispenser
- Optional stand
- Optional stand with locking doors

### AIR-COOLED

Water Temp ° F.	50°	70°	90°	
Air Temp ° F.	70°	801	761	721
	80°	683	648	614
	90°	582	563	522

### WATER-COOLED

Water Temp ° F.	50°	70°	90°	
Air Temp ° F.	70°	772	746	733
	80°	720	708	695
	90°	683	674	659

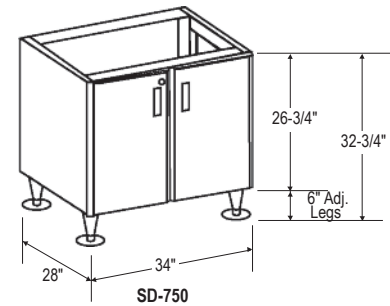
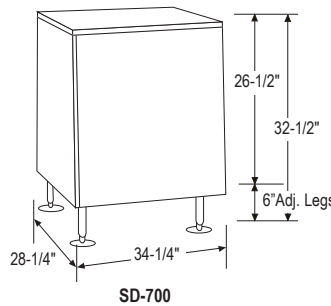
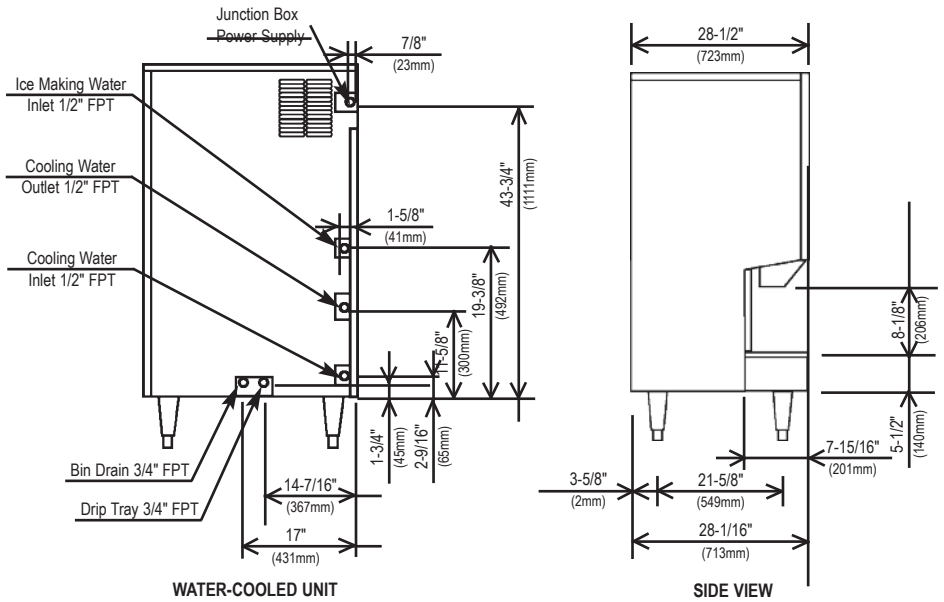
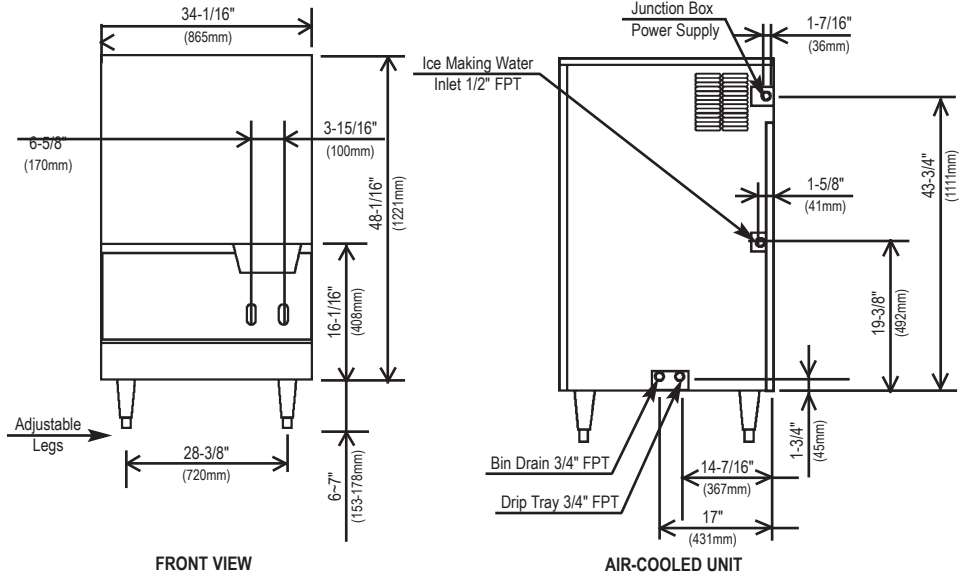
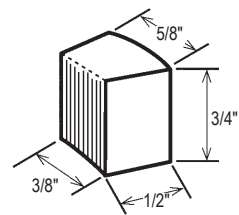
### UTILITY CONSUMPTION

Model Number	KWH per 100 LBS. 90/70	Potable Water Gal. per 100 lbs.
DCM-750BAH-OS	5.78	12.0
DCM-750BWH-OS	4.66	12.0

### SPECIFICATIONS

Model Number	Condenser	Amperage	Min. Circuit Ampacity	Shipping Weight
DCM-750BAH-OS	Air-Cooled	17.15	20	420 lbs.
DCM-750BWH-OS	Water-Cooled	16.3	20	420 lbs.
SD-700	N/A	N/A	N/A	165 lbs.
SD-750	N/A	N/A	N/A	125 lbs.

### CUBELET DIMENSIONS



### ELECTRICAL & PLUMBING/DCM-750BAH-OS

- 115V/60/1
- 20 amp Max Fuse Size
- 1/2" OD copper or equivalent independent water supply
- 3/4" independent drain connection

### OPERATING LIMITS

• Ambient Temp Range	45 - 100°F
• Water Temp Range	45 - 90°F
• Water Pressure	10 - 113psig
• Voltage Range	104 - 127V

### SERVICE

- Panels easily removed and all components accessible for service.
- Removable/cleanable air filter.



© HOSHIZAKI AMERICA, INC.

618 Hwy. 74 S., Peachtree City, GA 30269

TEL 1-800-438-6087

FAX 1-800-345-1325

www.hoshizaki.com

Printed in U.S.A.

