



DCM-270BAH

SANITARY CUBELET ICE MACHINE/DISPENSER



DCM-270BAH
06/22/18
Item # 13116

Item #: _____
Project: _____
Qty: _____
AIA#: _____

W x D x H
16⁹/₁₆" x 24¹/₈" x 31¹¹/₁₆"


SD-270
16¹/₂" x 24" x 35³/₁₆"


Ice Machine Shipping Dimensions
30¹/₂" x 20³/₄" x 37¹/₂"

DCM-270BAH
Air-Cooled
Shown with optional
SD-270 Stand
*SD-270 door is reversible



Features

- ▶ Durable stainless steel exterior
- ▶ Advanced CleanCycle24™ design 
- ▶ Stainless steel auger with greaseless bearing

- Up to 282 lbs. of ice production per 24 hours
- Built-in storage capacity of 0.3ft³/10 lbs.*
- 2 second flush cycle every hour
- Easy to chew, cubelet ice
- Flush cycle removes sediment for cleaner ice
- Protected by H-GUARD Plus Antimicrobial Agent 
- Dispenses ice and water
- 6 ft. cord with a NEMA 5-15 plug
- R-404A Refrigerant

Warranty:

3 Year Parts & Labor on entire machine.
5 Year Parts on Compressor; air-cooled condenser coil.
Valid in United States, Canada, Puerto Rico and U.S. Territories. Contact factory for warranty in other countries.

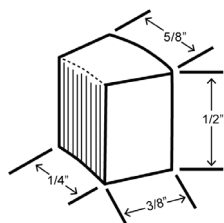
*Rated in accordance with AHRI Standard 820(I-P). Capacity based on 100% of total volume x 30 lb/ft³ average density of ice.



| Condenser | Model | ICE PRODUCTION | | WATER USAGE | | ELECTRICAL | | | Heat Rejection BTU/hr. | Refrigerant Charge Amount | Net / Ship Weight (lbs.) | |
|------------|------------|---|-----------|--|--|------------------------------------|--|----------|------------------------|---------------------------|--------------------------|-----------|
| | | Air / Water Temp Lbs. per 24 hours 70°/ 50°F | 90°/ 70°F | Potable Gal. per 100 lbs. 90°/ 70°F | Condenser Gal. per 100 lbs. 90°/ 70°F | kWh Used per 100 lbs. 90°/ 70°F | Max. Fuse Size or HACR Circuit Breaker | Amperage | | | | Voltage |
| Air-Cooled | DCM-270BAH | 282 | 215 | 12.0 | N/A | 7.6 | 15A | 8.5A | 115V/60/1 | 3,532 | 14.8 oz | 152 / 170 |

Power cord included.

Cubelet Dimensions*



* approximate size in inches, image not to scale

Operating Limits

- Ambient Temp Range 45 - 100°F
- Water Temp Range 45 - 90°F
- Water Pressure 10 - 113 PSIG
- Voltage Range 104 - 127V

Service

- Allow 6" (15cm) clearance at rear and left side, 10" (25cm) at right side, and 20" (51cm) at top for proper air circulation and ease of maintenance/ service should they be required.

Not intended for outdoor use - avoid placement in direct sunlight.

Plumbing

- Icemaker Water Supply Line: Minimum 1/4" Nominal ID Copper Water Tubing or Equivalent
- Icemaker Drain Line: Minimum 3/4" Nominal ID Hard Pipe or Equivalent

Water Filter

Please refer to water filter specification sheet for recommendations.

Hoshizaki reserves the right to change specifications without notice.



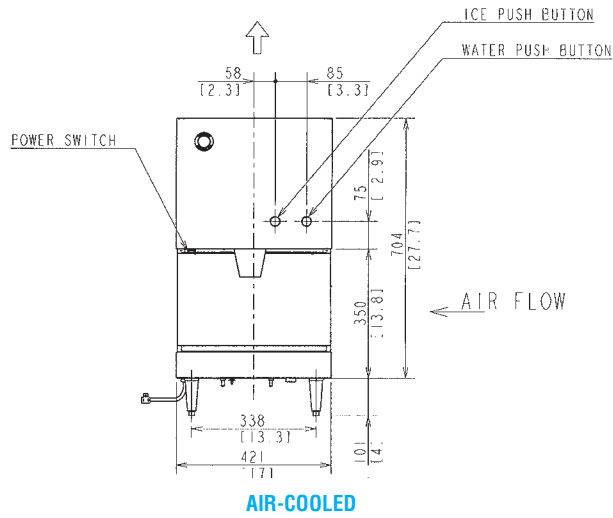
DCM-270BAH

SANITARY CUBELET ICE MACHINE/DISPENSER

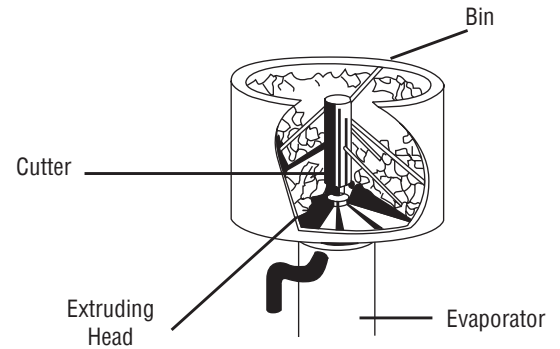


DCM-270BAH
06/22/18
Item # 13116

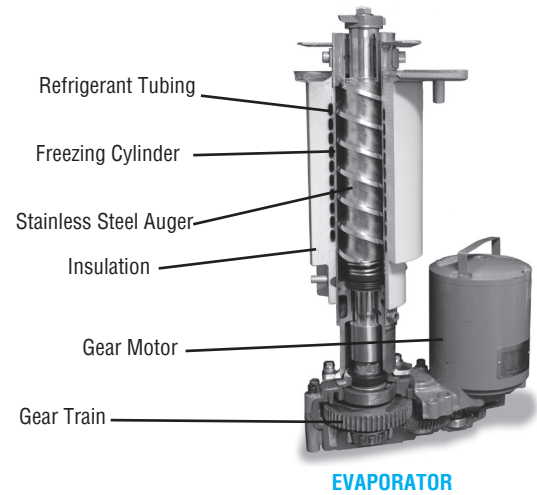
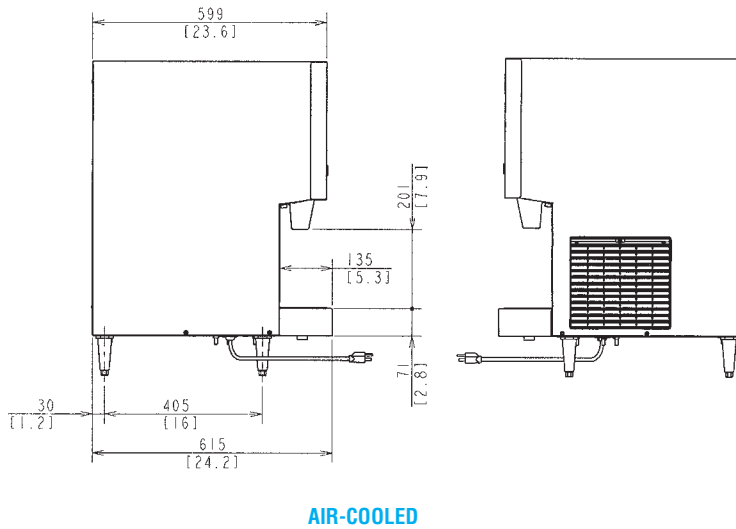
FRONT VIEW



inch
[mm]



SIDE VIEW



BOTTOM VIEW

