



IM-200BAA

SELF-CONTAINED SQUARE CUBER WITH BUILT-IN STORAGE BIN



IM-200BAA
03/30/17
Item # 13376


W x D x H
39¹/₂" x 23⁵/₈" x 33¹/₂"*
*including 6" legs

IM-200BAA ★
Air-Cooled



Features

- ▶ Individual square cube
- ▶ Self-Contained with built-in storage bin
- ★ ENERGY STAR® Qualified

- Up to 200 lbs. of ice production per 24 hours
- Up to 50 lbs. of built-in storage capacity*
- Durable stainless steel exterior
- EverCheck™ alert system 
- Removable air filter
- R-134a Refrigerant
- 5' 7/8" (1.8 m) power cord with NEMA 5-15P plug

Warranty

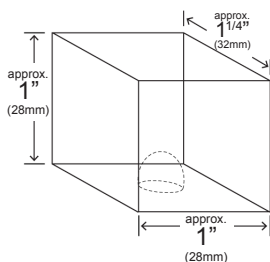
- 3 year Parts & Labor on entire machine.
 - 5 year Parts on Compressor; air-cooled condenser coil.
- Valid in United States, Canada, Puerto Rico & U.S. Territories. Contact factory for warranty in other countries.

*Rated in accordance with AHRI Standard 820 (I-P)



Condenser	Model	ICE PRODUCTION				WATER USAGE			ELECTRICAL			Heat Rejection BTU/hr.	Shipping Weight	ENERGY STAR®
		Air / Water Temp Lbs. per 24 hours 70°/50°F	90°/70°F	Per Cycle Lbs.	Cubes	Potable Gal. per 100 lbs. 90°/70°F	Condenser Gal. per 100 lbs. 90°/70°F	kWh Used per 100 lbs. 90°/70°F	Max. Fuse Size or HACR Circuit Breaker	Amperage	Voltage			
Air-Cooled	IM-200BAA	200	160	3.9	80	23.0	N/A	8.3	15A	7.6A	115V/60/1	3,500	203 lbs.	★

IM Cube Dimensions*



* approximate size; image not to scale

Operating Limits

- Ambient Temp Range 45 - 100°F
- Water Temp Range 45 - 90°F
- Water Pressure 10 - 113 PSIG
- Voltage Range 104 - 127V

Service

- Panels easily removed and all components accessible for service.
- Removable/cleanable air filter.

Plumbing

- Icemaker Water Supply Line: Minimum 1/4" Nominal ID Copper Water Tubing or Equivalent
- Icemaker Drain Line: Minimum 3/4" Nominal ID Hard Pipe or Equivalent

Clearance

- Allow 6" (15 cm) clearance on right side and 2" (5 cm) on rear. Allow 2" (5 cm) on left side and 0" on top or 5/8" (15 mm) on left side and 2" (5 cm) on top for proper air circulation and ease of maintenance/service.



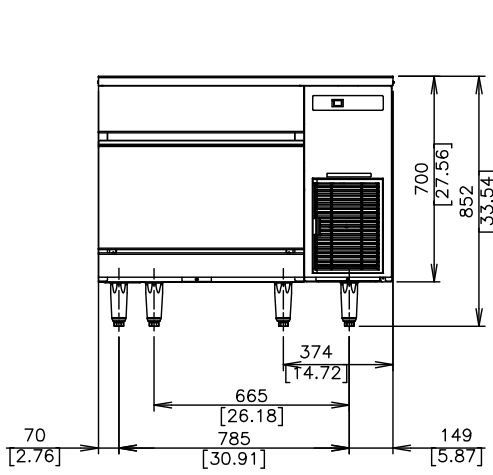
IM-200BAA

SELF-CONTAINED SQUARE CUBER
WITH BUILT-IN STORAGE BIN

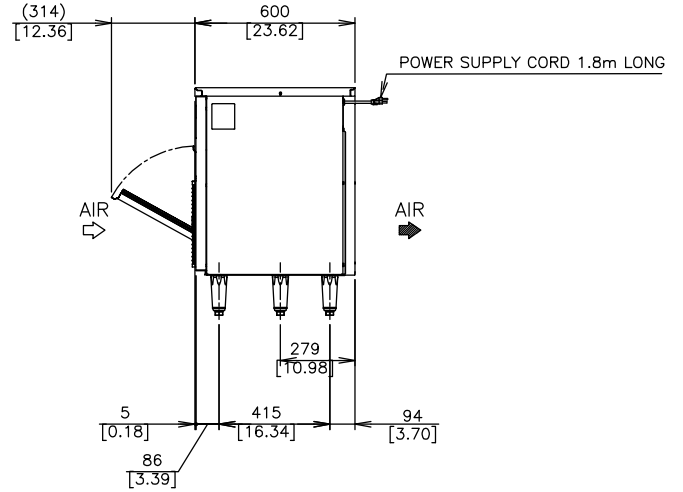


IM-200BAA
03/30/17
Item # 13376

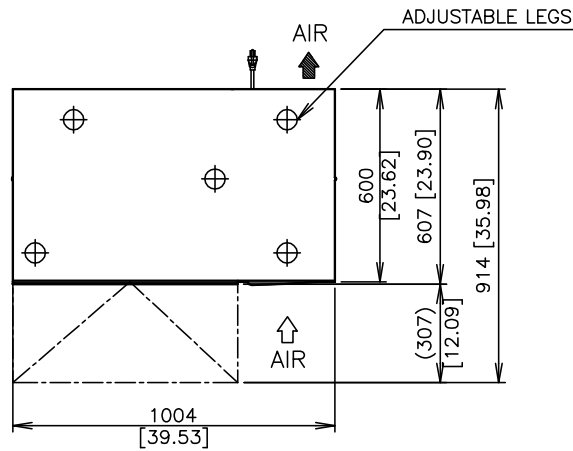
FRONT VIEW



SIDE VIEW



BOTTOM VIEW



REAR VIEW

