



# F-330BAJ(-C)

**SELF-CONTAINED ICE MACHINE  
BUILT-IN STORAGE BIN**



F-330BAJ(-C)  
03/31/17  
Item # 13200

**W x D x H**  
**24" x 26" x 39"\***  
\*with 6" legs

**F-330BAJ ★**  
Air-Cooled



**F-330BAJ-C ★**  
Air-Cooled



Item #: \_\_\_\_\_  
Project: \_\_\_\_\_  
Qty: \_\_\_\_\_  
AIA#: \_\_\_\_\_

## Features

- ▶ Front breathing allows for easier fit into tight spaces
- ▶ Durable stainless steel exterior
- ▶ Stainless steel auger with greaseless bearing

- F-330BAJ - Up to 332 lbs. of ice production per 24 hours
- F-330BAJ-C - Up to 288 lbs. of ice production per 24 hours
- Up to 80 lbs.\* built in storage capacity
- Advanced CleanCycle24™ design 
- 2 second flush cycle every hour
- Convenient drop down door
- Protected by H-GUARD Plus® Antimicrobial Agent 
- Front access for easier maintenance
- Removable air filters
- R-404A Refrigerant

### Warranty:

3 Year Parts & Labor on entire machine. 5 Year Parts on Compressor; air-cooled condenser coil. Valid in United States, Canada, Puerto Rico and U.S. Territories. Contact factory for warranty in other countries.

Condenser	Model (Ice type)	ICE PRODUCTION			WATER USAGE			ELECTRICAL			Heat Rejection BTU/hr.	Shipping Weight	ENERGY STAR®
		Air / Water Temp Lbs. per 24 hours 70°/ 50°F	90°/ 70°F	AHRI Rated Storage Capacity	Potable Gal. per 100 lbs. 90°/ 70°F	Condenser Gal. per 100 lbs. 90°/ 70°F	kWh Used per 100 lbs. 90°/ 70°F	Max. Fuse Size or HACR Circuit Breaker	Amperage	Voltage			
Air-Cooled	F-330BAJ (Flaker)	332	243	80 lbs.*	12.0	N/A	5.91	15A	6.9A	115V/60/1	3,400	178 lbs.	★
Air-Cooled	F-330BAJ-C (Cubelet)	288	214	80 lbs.*	12.0	N/A	7.30	15A	7.1A	115V/60/1	3,400	178 lbs.	★

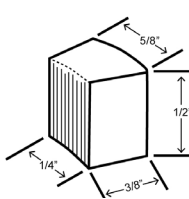
\*AHRI-Rated Capacity. Rated in accordance with AHRI Standard 820 (I-P)

### Cube Dimensions\*

**Flaked**  
F-330BAJ



**Cubelet**  
F-330BAJ-C



\* approximate size in inches, image not to scale

### Operating Limits

- Ambient Temp Range 45 - 100°F
- Water Temp Range 45 - 90°F
- Water Pressure 10 - 113 PSIG
- Voltage Range 104-127V

### Service

- Panels easily removed and all components accessible for service.
- Removable/cleanable air filter (Air-cooled model only)
- Allow 24" (61 cm) clearance at top for removal of auger.
- Appliance should not be located next to high heat producing equipment.

### Plumbing

- Icemaker Water Supply Line: Minimum 1/4" Nominal ID Copper Water Tubing or Equivalent
- Icemaker Drain Line: Minimum 3/4" Nominal ID Hard Pipe or Equivalent



# F-330BAJ(-C)

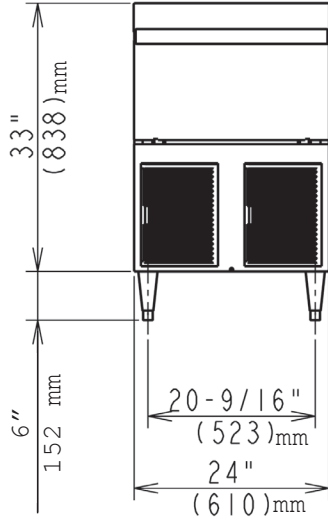
**SELF-CONTAINED ICE MACHINE  
BUILT-IN STORAGE BIN**



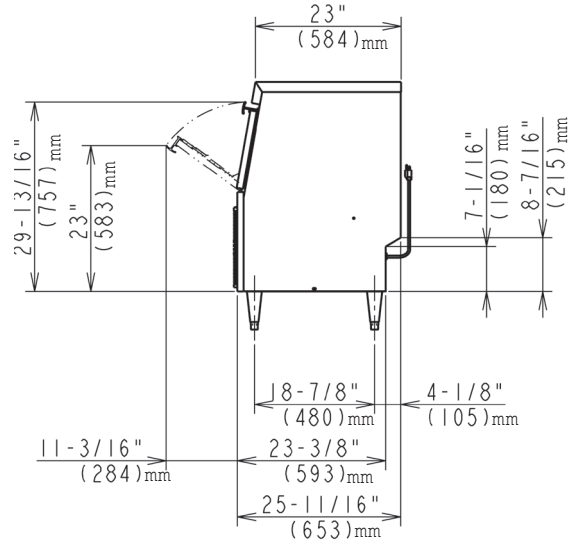
F-330BAJ(-C)  
03/31/17  
Item # 13200

inch  
(mm)

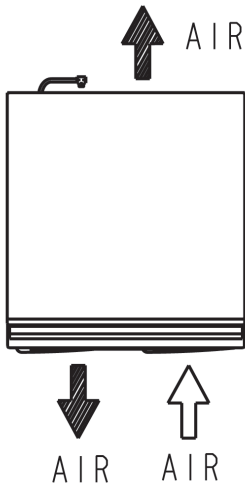
**FRONT VIEW**  
AIR-COOLED



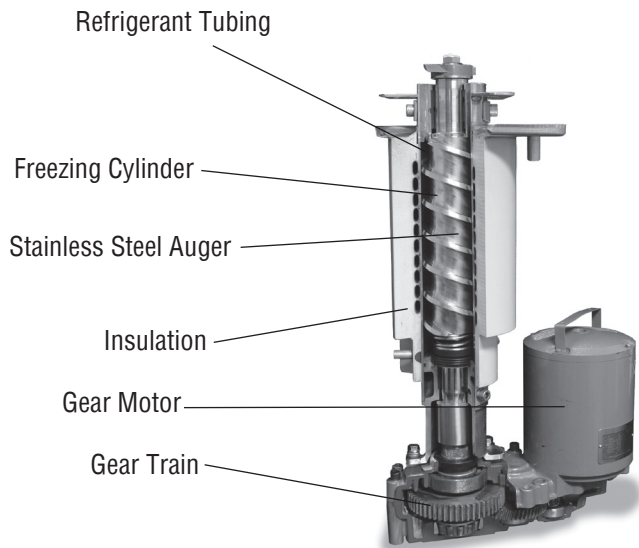
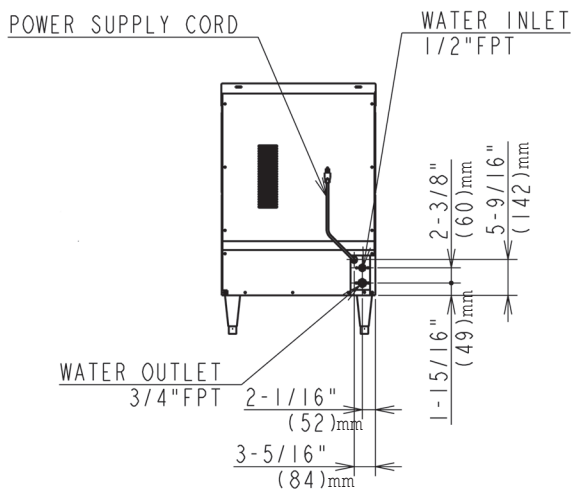
**SIDE VIEW**



**TOP VIEW**  
AIR-COOLED



**REAR VIEW**  
AIR-COOLED



**EVAPORATOR**