

F-330BAH-C

SELF-CONTAINED CUBELET WITH BUILT-IN STORAGE BIN

Item # _____

Project: _____

Qty: _____

*AutoCad available on KCL

F-330BAH-C

04/18/16

Item # 13218

CUBELET DIMENSIONS W x D x H

F-330BAH-C
24 x 26 x 39*
*with 6" legs

F-330BAH-C Air-Cooled



- Up to 320 lbs. of ice production per 24 hours
- Up to 80 lbs. built-in storage*
- Corrosion resistant stainless steel
- Automatic flush system designed for longer life and dependability of ice machine
- Evaporator assembly protected from peak loads
- Convenient drop down door
- Front access for easier maintenance
- Removable air filter
- Front in, front out airflow - allows for easier fit into tight spaces with no clearance needed on sides and rear
- R-404A Refrigerant
- Protected by H-GUARD Plus Antimicrobial Agent



* The F-330BAH-C is ENERGY STAR qualified.

*CUBELET DIMENSIONS

*approximate size in inches, image not to scale

Warranty

Valid in United States, Canada, Puerto Rico, & U.S. Territories. Contact factory for warranty in other countries.

Three Year - Parts & Labor on entire machine. (Serial numbers Vxxxxx) and after.)

Five Year - Parts on: Compressor, air-cooled condenser coil.

* Rated in accordance with AHRI Standard 820 (I-P)



ISO9001-ISO14001

© HOSHIZAKI AMERICA, INC.

618 Hwy. 74 S., Peachtree City, GA 30269

TEL 1-800-438-6087

FAX 1-800-345-1325

www.hoshizaki.com



Hoshizaki

SELF-CONTAINED CUBELET WITH BUILT-IN STORAGE BIN

F-330BAH-C

DIMENSIONS
W x D x H
F-330BAH-C
24 x 26 x 39"
*with 6" legs

• Air-cooled

AIR-COOLED

Water Temp° F.	50°	70°	90°	
Air Temp° F.	70°	320	300	290
	80°	275	265	250
	90°	240	230	220

UTILITY CONSUMPTION

Model Number	KWH per 100 LBS.		Potable Water Gal. per 100 lbs.
	90/70	70/50	
F-330BAH-C	6.7	4.5	12.0

SPECIFICATIONS

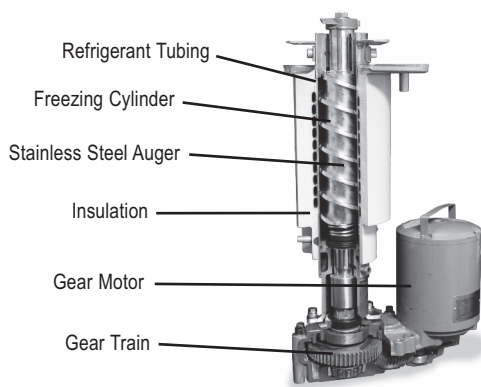
Model Number	Condenser	Min. Circuit Ampacity	Shipping Weight
F-330BAH-C	Air-Cooled	N/A	178 lbs.

STORAGE BINS

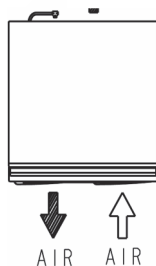
Model Number	AHRI Rated Storage Capacity*
F-330BAH-C	Built-in 80 lb. capacity

* Rated in accordance with AHRI Standard 820 (I-P)

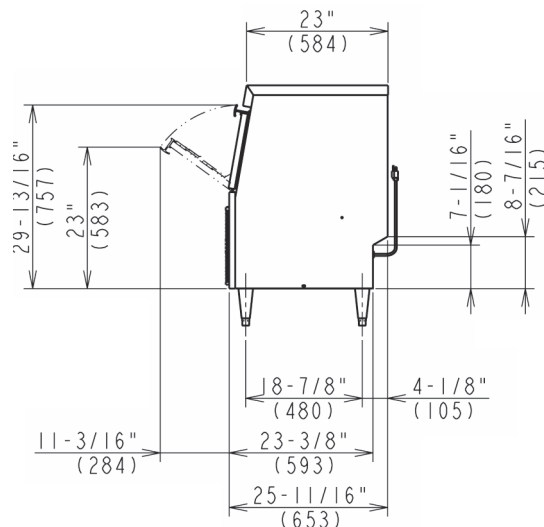
- Circuit breaker or fuse protects gear motor from overload.
- Gear motor runs one minute after termination of ice making to clear all ice from evaporator.



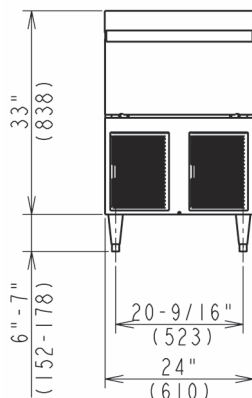
EVAPORATOR



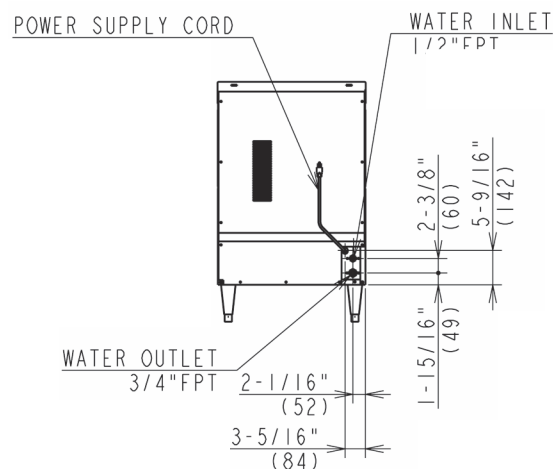
TOP VIEW



SIDE VIEW



FRONT VIEW



REAR VIEW

ELECTRICAL & PLUMBING/F-330BAH-C

- 115V/60/1
- Icemaker Water Supply Line: Minimum 1/4" Nominal ID Copper Water Tubing or Equivalent
- Icemaker Drain Line: Minimum 3/4" Nominal ID Hard Pipe or Equivalent

OPERATING LIMITS

- Ambient Temp Range 45 - 100°F
- Water Temp Range 45 - 90°F
- Water Pressure 10 - 113psig
- Voltage Range 104 - 127V

SERVICE

- Panels easily removed and all components accessible for service.
- Removable/cleanable air filters



© HOSHIZAKI AMERICA, INC.

618 Hwy. 74 S., Peachtree City, GA 30269

TEL 1-800-438-6087

FAX 1-800-345-1325

www.hoshizaki.com

Printed in U.S.A.

